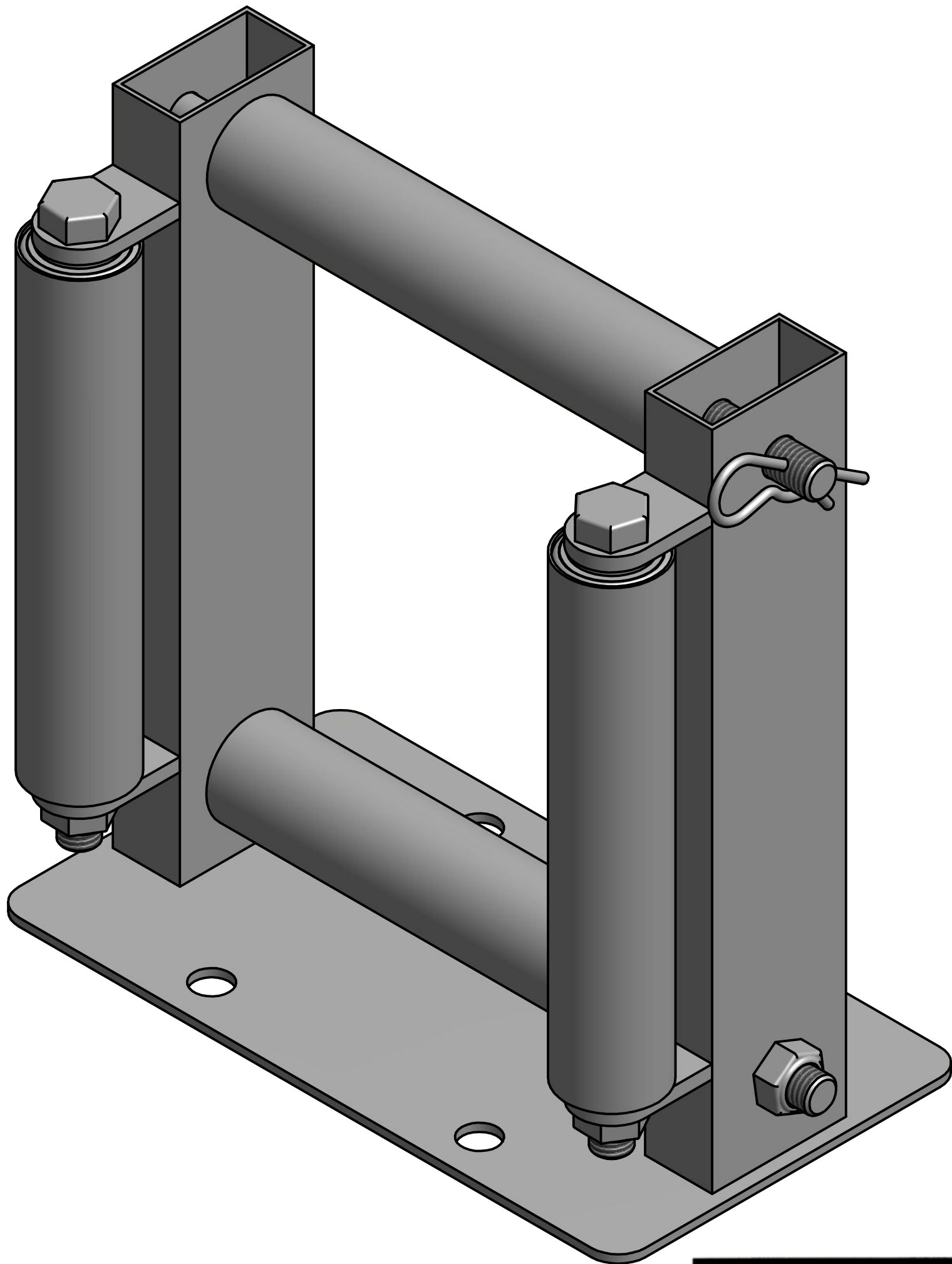
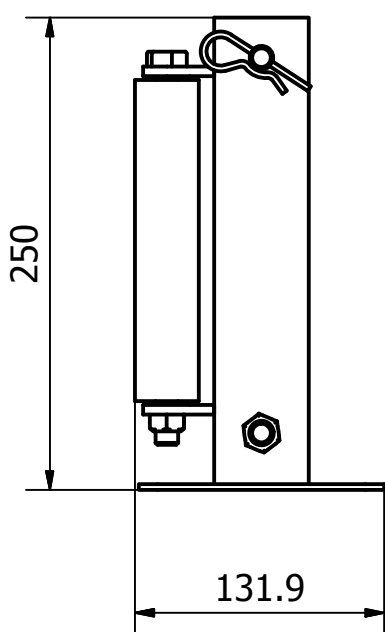


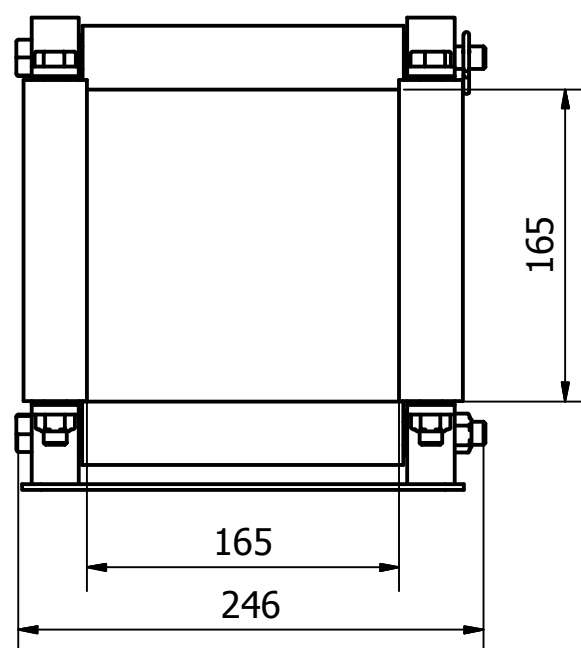
VAN-CRG165X Square Frame Roller



Side View



Front View



DESCRIPTION

VAN-CRG165X Square Frame Multipurpose Roller. 4 x 46mm Tubular Steel Bearing Rollers are mounted to a 255mm x 130mm Baseplate which is pre-drilled with 4 x 13mm mounting holes. The top roller is removable for easy cable placement. The window cross-sections measures 165mm x 165mm and will suit cable pulls from all directions.

Weight 7kg

Finish - Zinc Plated