



[www.all-trades.com.au](http://www.all-trades.com.au)

em; [sales@all-trades.com.au](mailto:sales@all-trades.com.au)

## COMEUP CAPSTAN WINCH

The Comeup Capstan Winch is suited to tackle the toughest wall, ground and underground pulling applications, due to its dual capacity of 2500kg and 1500kg. This product is precision engineered and constructed from heavy duty material which creates a high performance product with low maintenance.

### Features

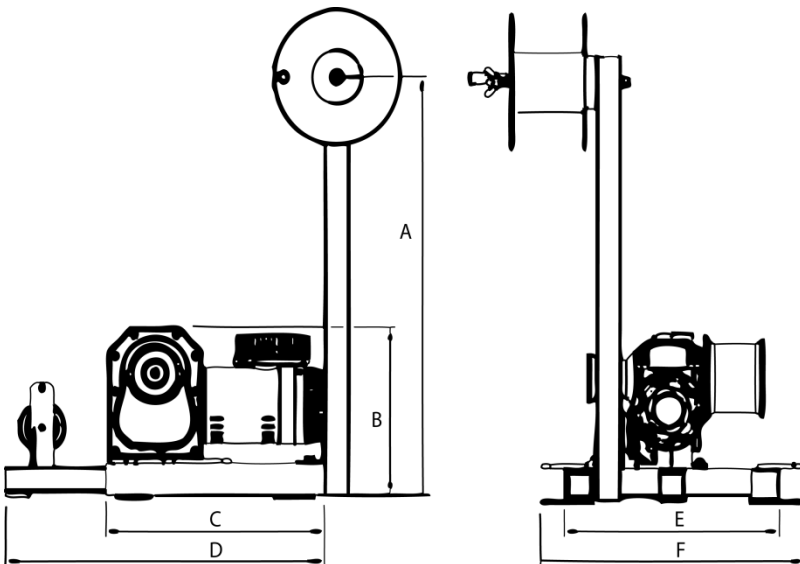
- 240 volt single phase cable puller.
- Dual pulling capacity of 2500 kg and 1500 kg.
- Dual speeds vary according to drum size.
- Over load protection switch which ensure automatic shut-off.
- Electromagnetic spring-applied fail safe brake.
- Heavy duty high efficiency ball bearings on all running surfaces.
- Rugged high power induction motor for proven reliability.
- Case hardened gear train for maximum mechanical efficiency.
- Rope storage reeler.
- Supplied with 3m power supply cable.
- Suitable rope diameter 7mm to 12mm. Please note that rope is not supplied as standard.
- A minimum of six wraps of rope around the drum is necessary to support the rated load.
- Do not use the Comeup Capstan Winch as a lifting device for vertical lifting.



## Specifications

MODEL	H2500	
Drum Type	Large Drum	Small Drum
Stock Code	CAP250	
Rated Capacity	1500	2500
Max. Pulling Duration (min)	15	15
Motor Output	240V 0.6kW IP44	
Rope Speed(m/min)	4.0	2.5
Control	Foot Control	
Gear Ratio	154:1	
Net Weight (kg)	60	60

## Dimensions (in mm)



MODEL	H2500
A	850
B	320
C	450
D	655
E	440
F	540