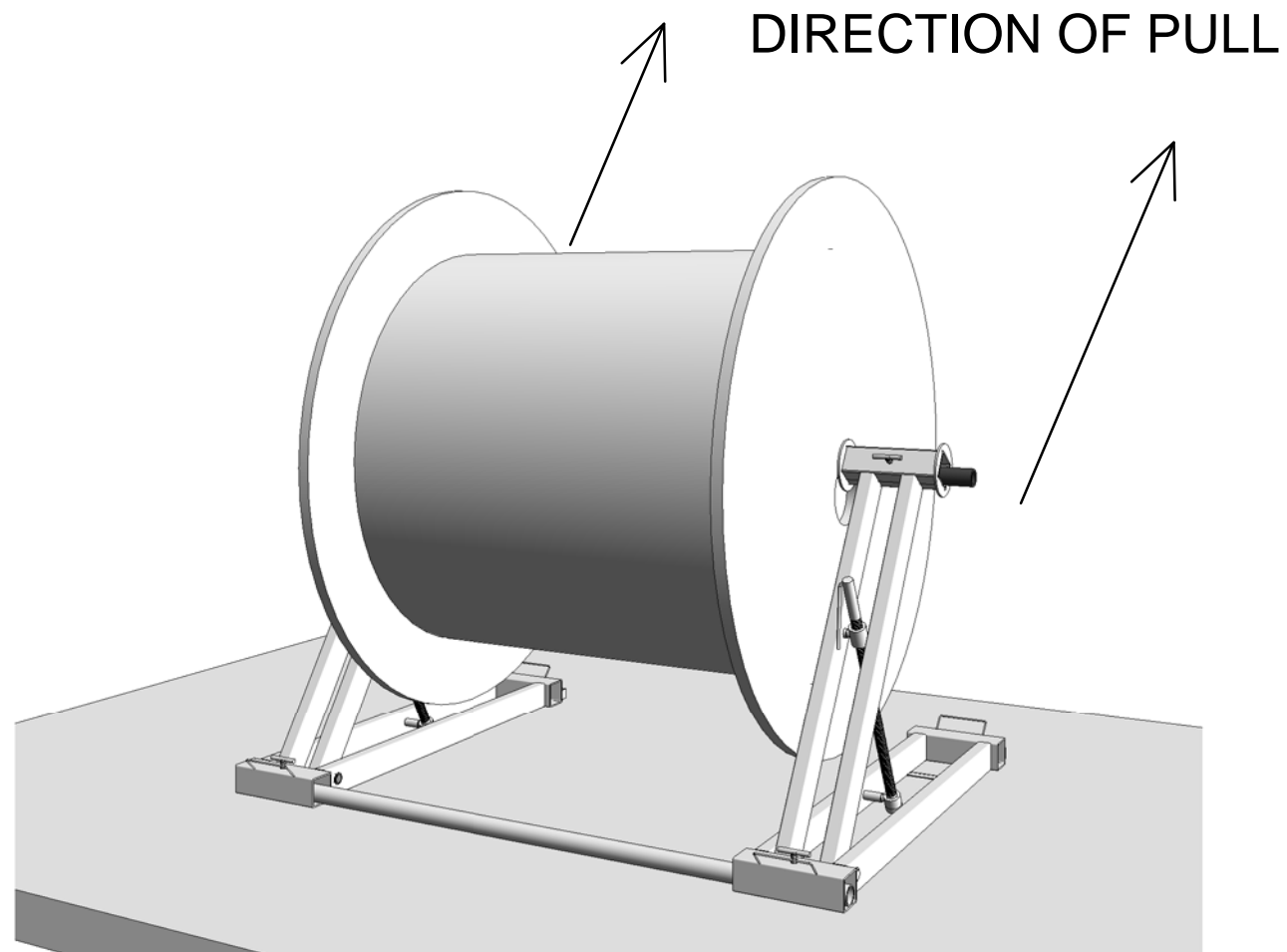
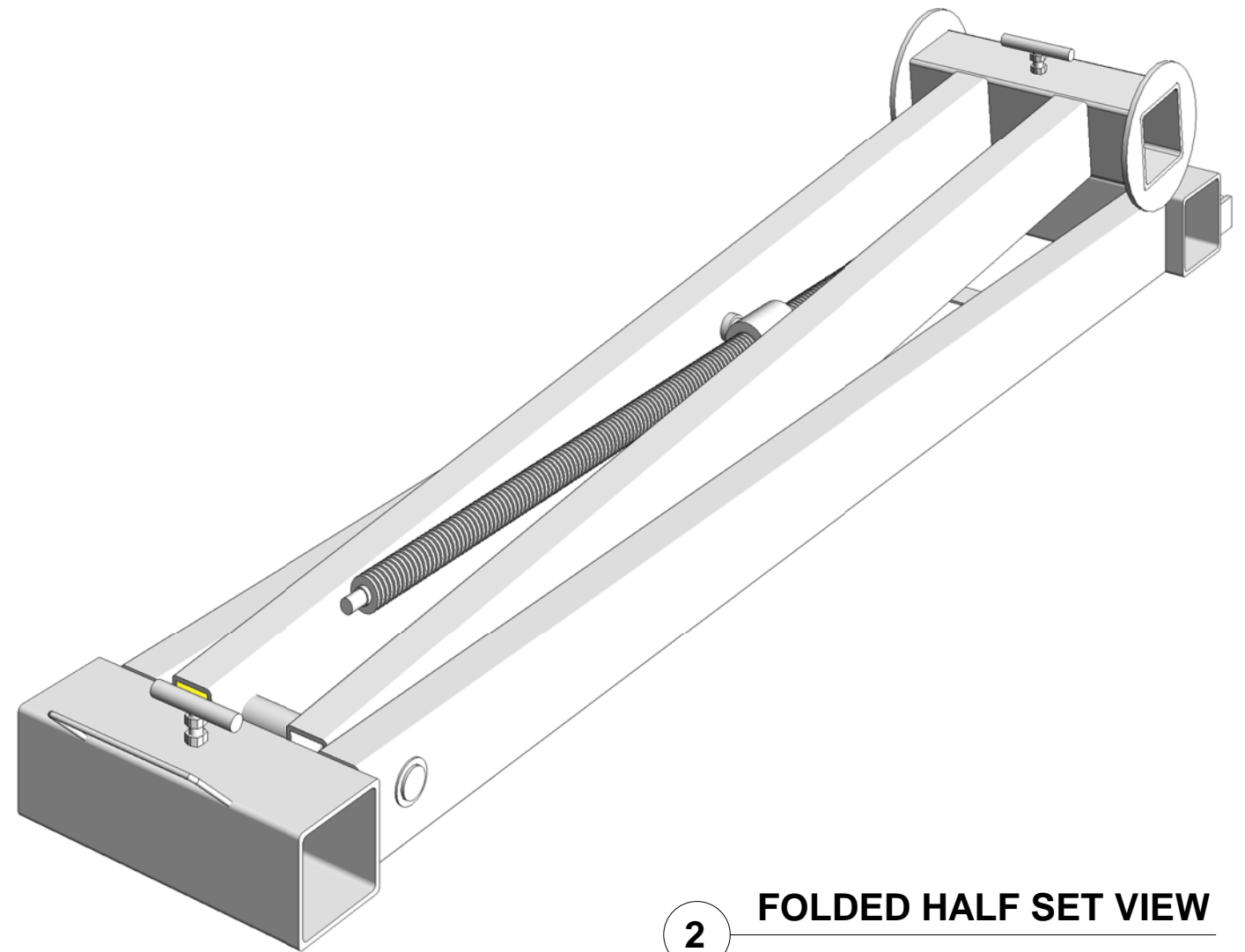


# VAN-SL4 SCISSOR LIFT



**1 OPERATIONAL VIEW**



**2 FOLDED HALF SET VIEW**

**USE OF THESE DRAWINGS**

The design and details shown on these drawings are applicable only to this project and may not be reproduced in whole or in part or be used for any other project, person on purpose without the expressed written permission of ALL TRADES MFG. with whom copyright resides.

11/5 Hudson Avenue  
Castle Hill 2154

T (02) 8850 2700

F (02) 88502701

E sales@all-trades.com.au



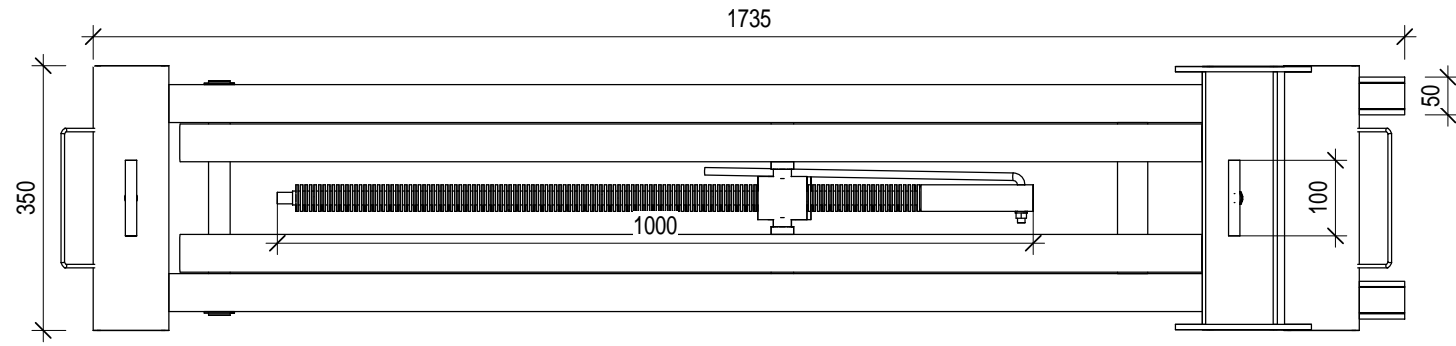
Scissor Lift  
4000KG Max  
2.4m(H) x 1.6m(W) Max  
Weight 140kg

**TITLE PAGE**

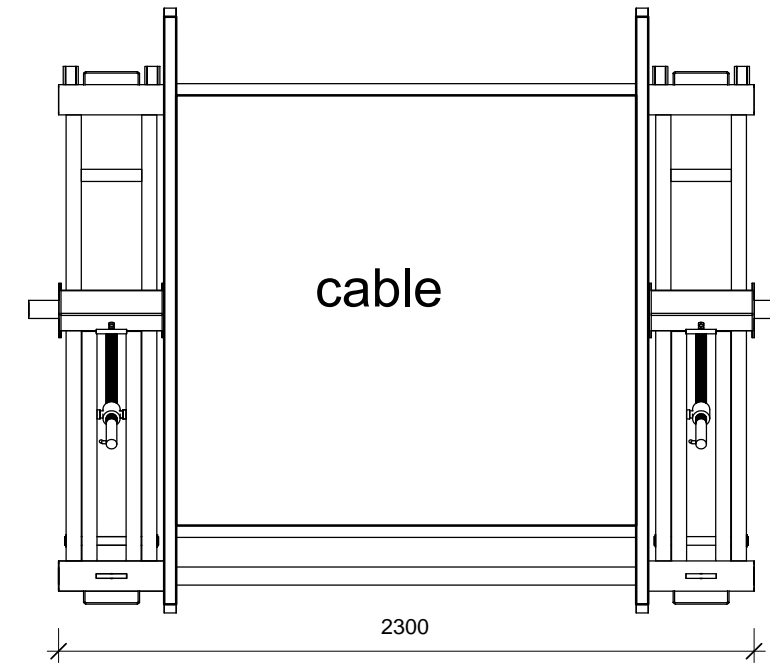
Product Code	SL4
Date	02/07/13
Drawn by	JT
Checked by	Checker

01

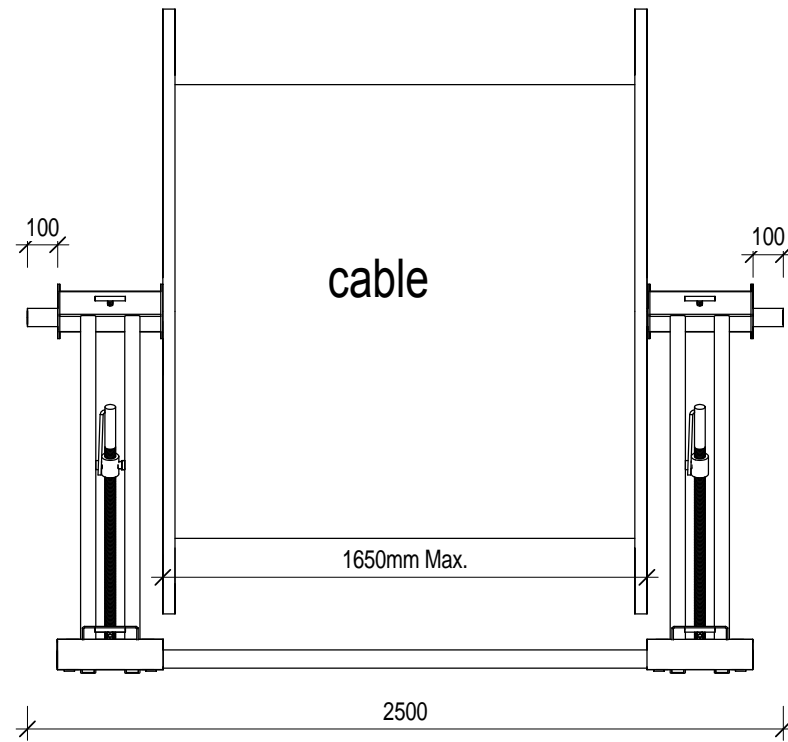
Scale @A3



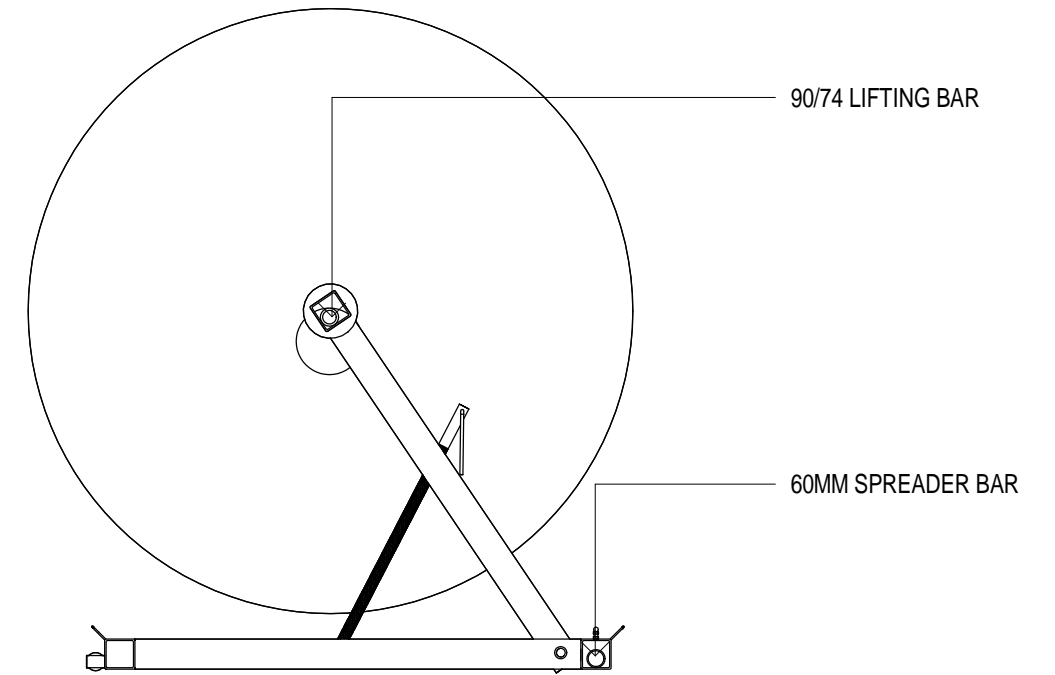
**1 SECTION DIMENSIONS**  
1 : 10



**2 TOP VIEW**  
1 : 25



**3 FRONT VIEW**  
1 : 25



**4 SIDE VIEW**  
1 : 25

**USE OF THESE DRAWINGS**

The design and details shown on these drawings are applicable only to this project and may not be reproduced in whole or in part or be used for any other project, person on purpose without the expressed written permission of ALL TRADES MFG. with whom copyright resides.

11/5 Hudson Avenue  
Castle Hill 2154

T (02) 8850 2700

F (02) 88502701

E sales@all-trades.com.au



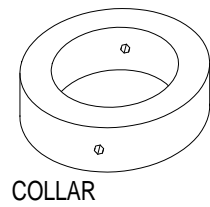
**Scissor Lift**  
4000KG Max  
2.4m(H) x 1.6m(W) Max  
Weight 140kg

**PLANS & SIDE VIEWS**

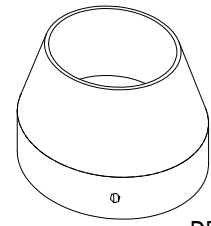
Product Code	SL4
Date	02/07/18
Drawn by	JT
Checked by	Checker

02

Scale As @A3  
indicated

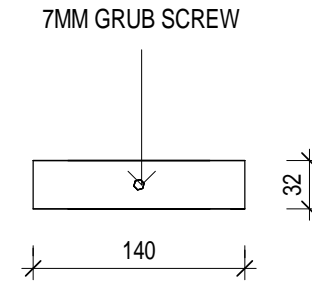


COLLAR

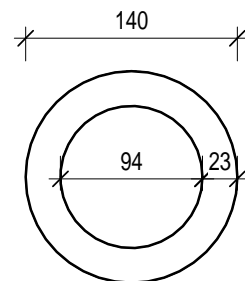
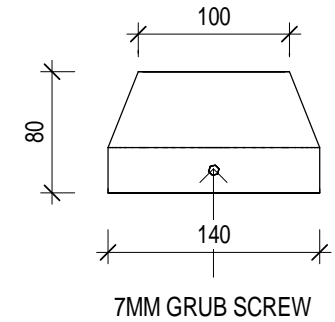


DRUM CONE

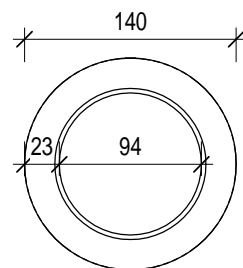
**1 ACCESSORIES**



**2 ACCESSORY SIDE VIEW**  
1:5



**3 COLLAR - TOP VIEW**  
1:5



**4 CONE - TOP VIEW**  
1:5

**USE OF THESE DRAWINGS**

The design and details shown on these drawings are applicable only to this project and may not be reproduced in whole or in part or be used for any other project, person on purpose without the expressed written permission of ALL TRADES MFG. with whom copyright resides.

11/5 Hudson Avenue  
Castle Hill 2154

T (02) 8850 2700

F (02) 88502701

E sales@all-trades.com.au



Scissor Lift  
4000KG Max  
2.4m(H) x 1.6m(W) Max  
Weight 140kg

**ACCESSORIES**

Product Code SL4

Date 02/07/18

Drawn by JT

Checked by Checker